

SINGLE AXLE UTILITY TRAILER

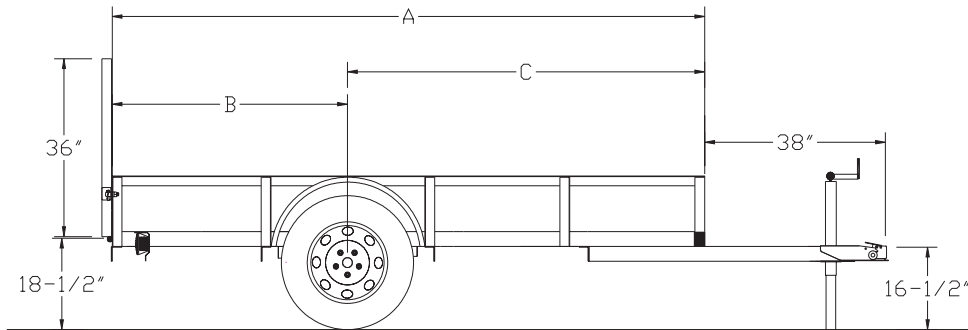
G.V.W.R.	2,995#	AXLE	3500# EZ LUBE
G.A.W.R. (EA. AXLE)	2,960#	SUSPENSION	Multi-Leaf Spring
COUPLER	2" Coupler	TIRE	ST205/75-15 Load Range B
SAFETY CHAINS	1/4" Grd. 30 w/Safety Latch Hook (2 ea.)	WHEEL	15 X 5 White Spoke 5 Bolt
JACK	2000# Top Wind (Bolted On)	FLOOR	2" Pine
TONGUE	3" x 2" x 3/16 Angle	LIGHTS	D.O.T. Stop, Tail, Turn and Clearance
TOP RAIL	2" x 2" 1/8" Angle	ELEC. PLUG	4 Way Flat w/Loom
FRAME	2" x 3" x 3/16 Angle	FINISH (PREP)	Acid Etched w/White Phosphorus, Undercoated w/Panther 813 & Two Coats Primer
CROSSMEMBERS	2" x 3" x 3/16 Angle	FINISH	Painted w/ 2 Coats High Solid <i>Supreme</i> Acrylic Automotive Grade Enamel, and Pinstriped
UPRIGHTS	14" Tall 2"x 2" x 1/8 Angle		
FENDERS	9" X 32" Rolled Formed w/Back		

STANDARD FEATURES

- 3500# Axle with Flanges For Easy Brake Addition
- LowerJack Support Plate
- Ez Lube Axle
- 3Ft. Fold Down Gate
- Available in Black Only
- Available in 10' and 14' Only
- Floor Secured w/ 5/16" Torx Screws
- Safety Chains Attached w/Cold Rolled Eyelets

29SA

DIMENSIONS			
LENGTH	A	B	C
10'	121-1/2"	48-1/2"	73"
14'	169-1/2"	72-1/2"	97"



PRICING

MODEL #	WEIGHT	DESCRIPTION	
29SA-10	740#	60" X 10' Single Axle Trailer	
29SA-14	800#	60" X 14' Single Axle Trailer	